

SINGER[®]

TRUSTED INTERNATIONAL BRAND

900 W

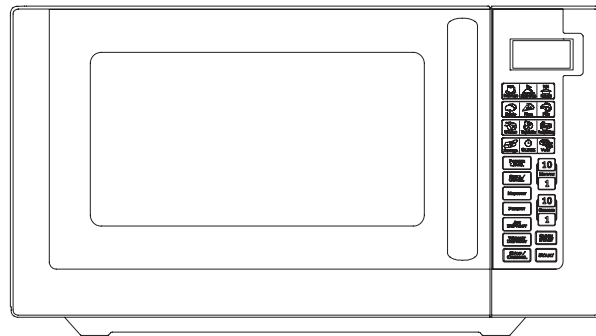
30 L

LED
DIGITAL DISPLAY

30L

MICROWAVE OVEN

SMWG30G6



USER MANUAL

PRECAUTIONS TO AVOID POSSIBLE EXPOSURE TO EXCESSIVE MICROWAVE ENERGY

1. Do not attempt to operate this oven with the door open since open door operation can result in harmful exposure to microwave energy. It is important not to defeat or tamper with the safety interlocks.
2. Do not place any object between the oven front face and the door or allow soil or cleaner residue to accumulate on sealing surfaces.
3. Do not operate the oven if it is damaged. It is particularly important that the oven door close properly and that there is no damage to the
 - a. Door (bent),
 - b. Hinges and latches (broken or loosened),
 - c. Door seals and sealing surfaces.
4. The oven should not be adjusted or repaired by anyone except properly qualified service personnel.

CONTENTS

<i>PRECAUTIONS TO AVOID POSSIBLE EXPOSURE TO EXCESSIVE MICROWAVE ENERGY</i> -----	1
<i>IMPORTANT SAFETY INSTRUCTIONS</i> -----	2
<i>SPECIFICATIONS*</i> -----	3
<i>BEFORE YOU CALL FOR SERVICE</i> -----	3
<i>INSTALLATION</i> -----	3
<i>GROUNDING INSTRUCTIONS</i> -----	4
<i>RADIO INTERFERENCE</i> -----	4
<i>MICROWAVE COOKING PRINCIPLES</i> -----	4
<i>UTENSILS GUIDE</i> -----	5
<i>PART NAMES</i> -----	5
<i>CONTROL PANEL</i> -----	6
<i>HOW TO SET THE OVEN CONTROLS</i> -----	7
Setting the clock-----	7
Microwave cooking-----	7
Grill cooking-----	7
Combination cooking-----	7
Weight Defrost-----	7
Jet Defrost-----	8
Multi-stage Cooking-----	8
Preset Function-----	8
Quick start-----	8
Auto Cook-----	9
Child Lock-----	9
<i>CLEANING AND CARE</i> -----	10

IMPORTANT SAFETY INSTRUCTIONS

When using electrical appliance basic safety precautions should be followed, including the following:

WARNING: To reduce the risk of burns, electric shock, fire, injury to persons or exposure to excessive microwave energy:

1. Read all instructions before using the appliance.
2. Use this appliance only for its intended use as described in this manual. Do not use corrosive chemicals or vapors in this appliance. This type of oven is specifically designed to heat, cook or dry food. It is not designed for industrial or laboratory use.
3. Do not operate the oven when empty.
4. Do not operate this appliance if it has a damaged cord or plug, if it is not working properly or if it has been damaged or dropped. If the supply cord is damaged, it must be replaced by the manufacturer or its service agent or a similarly qualified person in order to avoid a hazard.
5. **WARNING:** Only allow children to use the oven without supervision when adequate instructions have been given so that the child is able to use the oven in a safe way and understands the hazards of improper use.
6. **WARNING:** It is hazardous for anyone other than a trained person to carry out any service or repair operation which involves the removal of any cover which gives protection against exposure to microwave energy.
7. To reduce the risk of fire in the oven cavity:
 - a. When heating food in plastic or paper container, keep an eye on the oven due to the possibility of ignition.
 - b. Remove wire twist-ties from paper or plastic bags before placing bag in oven.
 - c. If smoke is observed, switch off or unplug the appliance and keep the door closed in order to stifle any flames.
 - d. Do not use the cavity for storage purposes. Do not leave paper products, cooking utensils or food in the cavity when not in use.
8. **WARNING:** Liquid or other food must not be heated in sealed containers since they are liable to explode.
9. Microwave heating of beverage can result in delayed eruptive boiling, therefore care has to be taken when handling the container.
10. Do not fry food in the oven. Hot oil can damage oven parts and utensils and even result in skin burns.
11. Eggs in their shell and whole hard-boiled eggs should not be heated in microwave ovens since they may explode even after microwave heating has ended.
12. Pierce foods with heavy skins such as potatoes, whole squashes, apples and chestnuts before cooking.
13. The contents of feeding bottles and baby jars should be stirred or shaken and the temperature should be checked before serving in order to avoid burns.
14. Cooking utensils may become hot because of heat transferred from the heated food. Potholders may be needed to handle the utensil.
15. Utensils should be checked to ensure that they are suitable for use in microwave oven.
16. **WARNING:** It is hazardous for anyone other than a trained person to carry out any service or repair operation which involves the removal of any cover which gives protection against exposure to microwave energy.
17. This product is a Group 2 Class B ISM equipment. The definition of Group 2 which contains all ISM (Industrial, Scientific and Medical) equipment in which radio-frequency energy is intentionally generated and/or used in the form of electromagnetic radiation for the treatment of material, and spark erosion equipment. For Class B equipment is equipment suitable for use in domestic establishments and in establishments directly connected to a low voltage power supply network which supplies buildings used for domestic purpose.
18. This appliance is not intended for use by persons (including children) with reduced physical, sensory or mental capabilities, or

lack of experience and knowledge, unless they have been given supervision or instruction concerning use of the appliance

by a person responsible for their safety.

19. Children should be supervised to ensure that they do not play with the appliance.

SPECIFICATIONS*

Power Consumption	220V / 50Hz, 1400W(Microwave) 1050W(Grill)
Rated Microwave Power Output:	900W
Operation Frequency:	2450MHz
Outside Dimensions:	300mm(H)×539mm(W)×446mm(D)
Oven Cavity Dimensions:	240mm(H)×354mm(W)×358mm(D)
Oven Capacity:	30Litres
Cooking Uniformity:	Turntable System
Net Weight:	Approx.16.4 kg

BEFORE YOU CALL FOR SERVICE

If the oven fails to operate:

1. Check to ensure that the oven is plugged in securely. If it is not, remove the plug from the outlet, wait 10 seconds, and plug it in again securely.
2. Check for a blown circuit fuse or a tripped main circuit breaker. If these seem to be operating properly, test the outlet with another appliance.
3. Check to ensure that the control panel is programmed correctly and the timer is set.
4. Check to ensure that the door is securely closed engaging the door safety lock system. Otherwise, the microwave energy will not flow into the oven.

IF NONE OF THE ABOVE RECTIFIES THE SITUATION, THEN CONTACT A QUALIFIED TECHNICIAN. DO NOT TRY TO ADJUST OR REPAIR THE OVEN YOURSELF.

INSTALLATION

1. Make sure that all the packing materials are removed from the inside of the door.
2. **WARNING:** Check the oven for any damage, such as misaligned or bent door, damaged door seals and sealing surface, broken or loose door hinges and latches and dents inside the cavity or on the door. If there is any damage, do not operate the oven and contact qualified service personnel.
3. This microwave oven must be placed on a flat, stable surface to hold its weight and the heaviest food likely to be cooked in the oven.
4. Do not place the oven where heat, moisture, or high humidity are generated, or near combustible materials.
5. For correct operation, the oven must have sufficient airflow. Allow 20cm of space above the oven, 10cm at back and 5cm at both sides. Do not cover or block any openings on the appliance. Do not remove feet.
6. Do not operate the oven without glass tray, roller support, and shaft in their proper positions.
7. Make sure that the power supply cord is undamaged and does not run under the

- oven or over any hot or sharp surface.
8. The socket must be readily accessible so that it can be easily unplugged in an

- emergency.
9. Do not use the oven outdoors.

GROUNDING INSTRUCTIONS

This appliance must be grounded. This oven is equipped with a cord having a grounding wire with a grounding plug. It must be plugged into a wall receptacle that is properly installed and grounded. In the event of an electrical short circuit, grounding reduces risk of electric shock by providing an escape wire for the electric current. It is recommended that a separate circuit serving only the oven be provided. Using a high voltage is dangerous and may result in a fire or other accident causing oven damage.

WARNING Improper use of the grounding plug can result in a risk of electric shock.

Note

1. If you have any questions about the grounding or electrical instructions, consult a qualified electrician or service person.
2. Neither the manufacturer nor the dealer can accept any liability for damage to the oven or personal injury resulting from failure to observe the electrical connection procedures.

The wires in this cable main are colored in accordance with the following code:

Green and Yellow = EARTH

Blue = NEUTRAL

Brown = LIVE

RADIO INTERFERENCE

Operation of the microwave oven can cause interference to your radio, TV, or similar equipment.

When there is interference, it may be reduced or eliminated by taking the following measures:

1. Clean door and sealing surface of the oven.
2. Reorient the receiving antenna of radio or

television.

3. Relocate the microwave oven with respect to the receiver.
4. Move the microwave oven away from the receiver.
5. Plug the microwave oven into a different outlet so that microwave oven and receiver are on different branch circuits.

MICROWAVE COOKING PRINCIPLES

1. Arrange food carefully. Place thickest areas towards outside of dish.
2. Watch cooking time. Cook for the shortest amount of time indicated and add more as needed. Food severely overcooked can smoke or ignite.
3. Cover foods while cooking. Covers prevent spattering and help foods to cook evenly.
4. Turn foods over once during microwaving to speed cooking of such foods as chicken and hamburgers. Large items like roasts must be turned over at least once.
5. Rearrange foods such as meatballs halfway through cooking both from top to bottom and from the center of the dish to the outside.

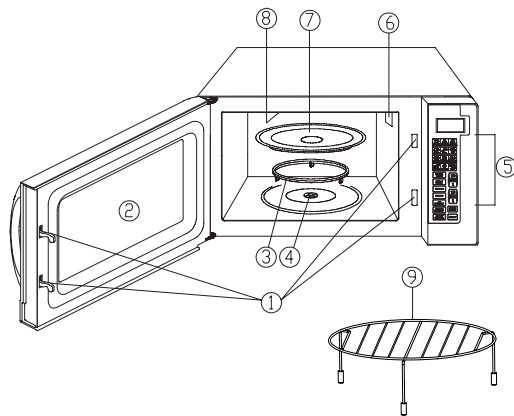
UTENSILS GUIDE

1. The ideal material for a microwave utensil is transparent to microwave, it allows energy to pass through the container and heat the food.
2. Microwave cannot penetrate metal, so metal utensils or dishes with metallic trim should not be used.
3. Do not use recycled paper products when microwave cooking, as they may contain small metal fragments which may cause sparks and/or fires.
4. Round /oval dishes rather than square/oblong ones are recommend, as food in corners tends to overcook.
5. Narrow strips of aluminum foil may be used to prevent overcooking of exposed areas. But be careful don't use too much and keep a distance of 1 inch (2.54cm) between foil and cavity.

The list below is a general guide to help you select the correct utensils.

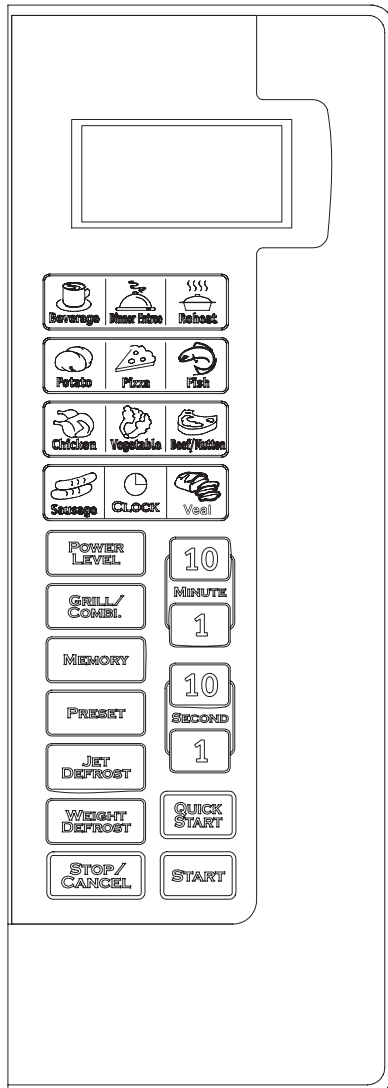
COOKWARE	MICROWAVE	GRILL	COMBINATION
Heat-Resistant Glass	Yes	Yes	Yes
Non Heat-Resistant Glass	No	No	No
Heat-Resistant Ceramics	Yes	Yes	Yes
Microwave-Safe Plastic Dish	Yes	No	No
Kitchen Paper	Yes	No	No
Metal Tray	No	Yes	No
Metal Rack	No	Yes	No
Aluminum Foil & Foil Containers	No	Yes	No

PART NAMES



1. Door Safety Lock System
2. Oven Window
3. Roller ring
4. Shaft
5. Control Panel
6. Oven Air Vent
7. Glass Tray
8. Grill Heater
9. Metal Rack

CONTROL PANEL



- **MENU ACTION SCREEN**

Cooking time, power, action indicators, and clock time are displayed.

- **NUMBER PADS**

Touch to set clock, cooking time or enter food weight.

- **QUICK COOK PADS**

Instant settings to cook popular foods.

- **CLOCK**

Touch to set the digital clock.

- **POWER LEVEL**

Touch to set microwave cooking power levels.

- **GRILL/COMBI.**

Touch once or repeatedly to choose a cooking mode.

- **MEMORY**

Used for setting a multistage cooking program

- **PRESET**

Delay start control allows you to put food into the oven and program it to start cooking at a later time.

- **JET DEFROST**

Programmed defrosting program based on the time user entered.

- **WEIGHT DEFROST**

Programmed defrosting program based on the weight of the foods to be defrosted.

- **QUICK START**

Simply touch it a number of times to set cooking time and the oven will cook immediately at full power level.

- **STOP/CANCEL**

Touch to clear entry before setting a cooking program

Touch once to temporarily stop cooking or twice to cancel cooking.

Touch and hold to set child lock.

- **START**

Touch to start cooking program.

HOW TO SET THE OVEN CONTROLS

Each time a pad is touched, a beep will sound to acknowledge the touch.

After a cooking program has finished, the oven will sound beeps with End on display screen, touch STOP/CANCEL pad to clear it before setting another function.

SETTING THE CLOCK

To enter the digital clock time, touch the CLOCK pad to set the digital clock in 12 or 24 hours cycle and then touch the number pads to set the time of day.

For example: to set the time of 6: 35 in 12-hour cycle.

1. Touch STOP/CANCEL pad.
2. Touch CLOCK pad once.
3. Touch number pads to set the clock time.
4. Touch CLOCK pad again to confirm.

Note: You can check the clock time when cooking is in progress by touching the CLOCK pad.

MICROWAVE COOKING

To cook with microwave, time and power level should be set. The longest cooking time can be set is 99 min. plus 99 sec.

By touching the POWER LEVEL pad a number of times, you are selecting one of the following microwave power levels:

Touch	Power Level	Description
Once	100% of total	High
Twice	80%	M. High
Thrice	60%	Medium
4 times	40%	M. Low
5 times	20%	Low
6 times	0%	Zero

Suppose you want to cook for 5 minutes at 60% of microwave power.

1. Touch STOP/CANCEL pad.
2. Touch POWER LEVEL pad a number of times to set power level.
3. Touch number pad 1MIN to set cooking

time.

4. Touch START pad.

GRILL COOKING

Grill cooking is particularly useful for thin slices of meat, steaks, fish, kebabs, sausages of piece of chicken. It is also suitable for hot sandwiches and au gratin dishes.

Suppose you want to broil for 12 minutes.

1. Touch STOP/CANCEL pad.
2. Touch GRILL/COMBI. pad once.
3. Touch number pads to set cooking time.
4. Touch START pad.

COMBINATION COOKING

The longest cooking time both function can be set is 99 min. plus 99 sec.

Combination 1:

35% time for microwave cooking, 65% for grill cooking. Recommended for cooking fish or au gratin.

Combination 2:

55% time for microwave cooking, 45% for grill cooking. Recommended for cooking puddings omelets, baked potatoes and poultry.

Suppose you want to set the oven to cook for 25 minutes with Combination2 function.

1. Touch STOP/CANCEL pad.
2. Touch GRILL/COMBI. pad 3 times.
3. Touch number pads to set cooking time.
4. Touch START pad.

WEIGHT DEFROST

This function allows the oven to defrost meat, poultry, and seafood based on the weight entered by user. The time and the defrosting power are adjusted automatically once the weight of food is programmed.

The maximum allowable weight for each category is shown below.

FOOD CATEGORY	MAXIMUM WEIGHT	DISPLAY
Meat	2300g	d1
Poultry	3000g	d2
Seafood	1000g	d3

Suppose you want to defrost 600g of shrimp.

1. Place food to be defrosted into the oven.
2. Touch STOP/CANCEL pad.
3. Touch WEIGHT DEFROST pad until “d3” appears on the display screen.
4. Touch number pad 1MIN to enter weight 600g.
5. Touch START pad.

Note: touch number pad 10MIN to enter weight in 1000g increment, 1MIN for 100g increment, 10SEC for 10g increment, 1SEC for 1g increment.

JET DEFROST

This function allows the oven to defrost food based on the time entered by user. The maximum defrost time can be set is 99 min. plus 99 sec.

Suppose you want to set the oven to defrost food for 5 minutes.

1. Touch STOP/CANCEL pad.
2. Touch JET DEFROST pad.
3. Touch number pad 1MIN to enter defrosting time.
4. Touch START pad.

MULTI-STAGE COOKING

The oven can be programmed to do several (2 stages or 3 stages) consecutive functions. Some recipes may need to set a multi-stage cooking program involving defrost function.

Suppose you want to set the following cooking program:

- ① JET DEFROST (The first stage)
- ② Microwave cooking; (The second stage)
- ③ Grill cooking. (The third stage)

Step: 1. Touch STOP/CANCEL pad.

2. Input JET DEFROST program.
3. Touch MEMORY pad.

4. Input microwave cooking program.
5. Touch MEMORY pad.
6. Input grill cooking program.
7. Touch START pad.

NOTE: JET DEFROST or WEIGHT DEFROST function can be only set foremost in a multistage cooking program.

The respective lights will come on to indicate which stage the oven is operating in. After total time has elapsed, beeps sound.

PRESET FUNCTION

This function allows the oven to start up automatically in a later time appointed by user.

Suppose now the clock running at 11:10 and you want the oven to start a cooking at 11:30.

Step:

1. Touch STOP/CANCEL pad.
2. Set a cooking program
3. Touch PRESET pad.
4. Use the number pads to enter the time 11:30.
5. Touch START pad.

NOTE: Make sure that the food is placed into the oven in advance before any cooking starts.

To make sure that the clock is running at the correct time before setting.

QUICK START

This feature allows you to start the oven quickly at full power level.

In standby mode of the oven, just touch QUICK START a number of times to set time, the oven start immediately at full power. The maximum cooking time can be set is 99 min.

AUTO COOK

For food or the following cooking mode, it is not necessary to program the duration and the cooking power. It is sufficient to indicate the type of food that you wish to cook as well as the weight or amount of this food. In order to do this, touch the individual icon pad of the food you are going to cook once or repeatedly to choose weight of food or number of serving.

For example, to cook 300g of potato:

1. Place Potato in the oven and close oven door.
2. Touch STOP/CANCEL pad.
3. Touch POTATO icon pad a number of times to select the weight you want.
4. Touch START pad.

Auto Cook Menu

Food/cooking mode	Information
1. Beverage(each 250ml)	Please note: 1. For item 7 9, 10, 11, oven will stop during cooking to let you to turn food over and then close the door, touch the START to resume cooking. 2. The result of auto cooking depends on factors such as the shape and size of food, your personal preference as to the doneness of certain foods and even how well you happen to place food in the oven. If you find the result at any rate not quite satisfactory, please adjust the cooking time a little bit accordingly.
2. Dinner entree(each 500g)	
3. Reheat(g)	
4. Potato(g)	
5. Pizza(g)	
6. Fish(g)	
7. Chicken(g)	
8. Vegetable(g)	
9. Beef/Mutton(g)	
10. Sausage(g)	
11. Veal(g)	

CHILD LOCK

Use to prevent unsupervised operation of the oven by little children. The CHILD LOCK indicator will show up on display screen, and the oven cannot be operated while the CHILD LOCK is set.

To set the CHILD LOCK: In standby mode, touch and hold the STOP/CANCEL pad for 3 seconds, a beep sounds and LOCK indicator lights.

To cancel the CHILD LOCK: Touch and hold the STOP/CANCEL pad for 3 seconds until LOCK indicator on display goes off.

CLEANING AND CARE

1. Turn off the oven and remove the power plug from the wall socket before cleaning.
2. Keep the inside of the oven clean. When food splatters or spilled liquids adhere to oven walls, wipe with a damp cloth. Mild detergent may be used if the oven gets very dirty. Avoid the use of spray and other harsh cleaners as they may stain, streak or dull the door surface.
3. The outside surfaces should be cleaned with a damp cloth. To prevent damage to the operating parts inside the oven, water should not be allowed to seep into the ventilation openings.
4. Wipe the door and window on both sides, the door seals and adjacent parts frequently with a damp cloth to remove any spills or splatters. Do not use abrasive cleaner.
5. Do not allow the control panel to become wet. Clean with a soft, damp cloth. When cleaning the control panel, leave oven door open to prevent oven from accidentally turning on.
6. If steam accumulates inside or around the outside of the oven door, wipe with a soft cloth. This may occur when the microwave oven is operated under high humidity condition. And it is normal.
7. It is occasionally necessary to remove the glass tray for cleaning. Wash the tray in warm sudsy water or in a dishwasher.
8. The roller ring and oven floor should be cleaned regularly to avoid excessive noise. Simply wipe the bottom surface of the oven with mild detergent. The roller ring may be washed in mild sudsy water or dishwasher. When removing the roller ring from cavity floor for cleaning, be sure to replace in the proper position.
9. Remove odors from your oven by combining a cup of water with the juice and skin of one lemon in a deep microwaveable bowl, microwave for 5 minutes. Wipe thoroughly and dry with a soft cloth.
10. When it becomes necessary to replace the oven light, please consult a dealer to have it replaced.
11. The oven should be cleaned regularly and any food deposits removed. Failure to maintain the oven in a clean condition could lead to deterioration of the surface that could adversely affect the life of the appliance and possibly result in a hazardous situation.
12. Please do not dispose this appliance into the domestic rubbish bin, it should be disposed to the particular disposal center provided by the municipalities.

